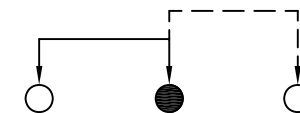
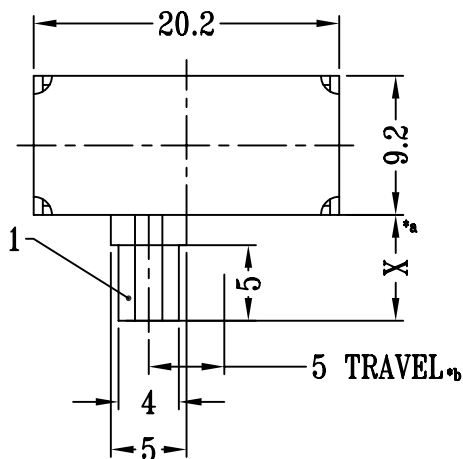
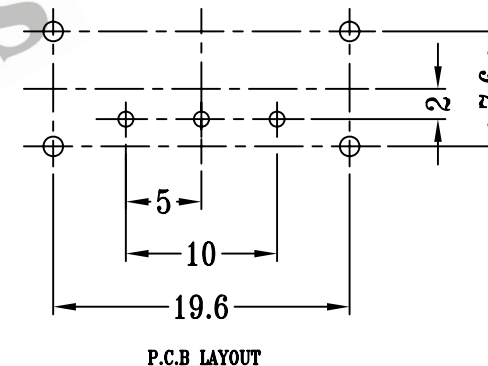
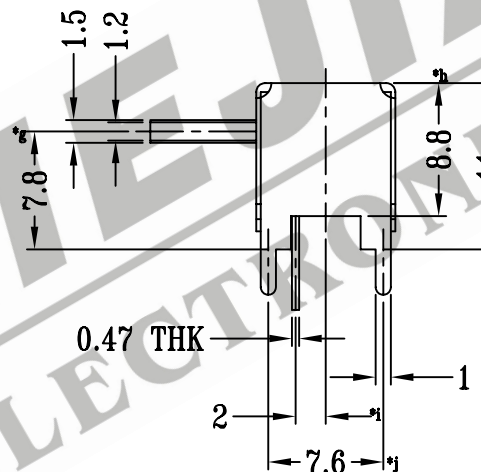
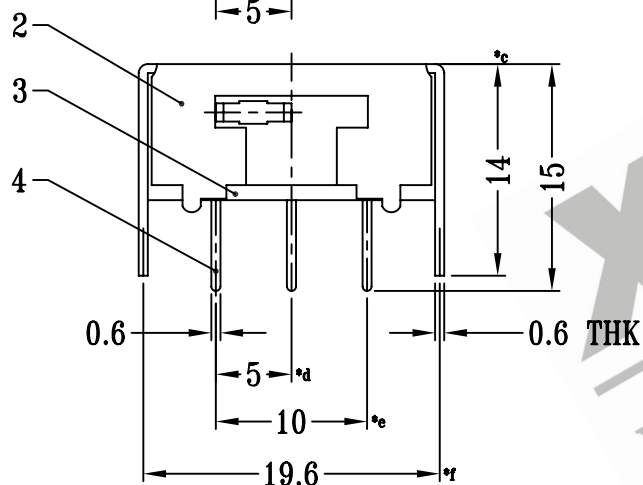


CAD FILE:



SCHEMATIC (SHORTING)



P.C.B LAYOUT

注:带*表示关键尺寸(10个)

				TOLERANCE UNLESS SPECIFIED		SHENZHEN XIEJIA ELECTRONICS CO.,LTD.					
				WITHIN: 1.5 ±0.1mm		ISSUE	DATE	DESCRIPTIONS OF REVISION		APPD.	
				OVER: 1.5 ±0.2mm							
8						TITLE : HORIZONTAL SLIDE SWITCH					
7	STEEL BALL	STEEL	1	NATURAL	UNIT : mm				DRWG NO.: XJ-DR-SK12J04-00		
6	SPRING	STEEL WIRE	1	TEMPER	MODEL: SK-12J04				SCALE: 2:1	DWN. ZHOUYU	2006-9-12
5	CONTACT (CLIP)	PBS STRIP	1	Ag PLATED	ALL MATERIALS MUST BE COMPLIANT TO ROHS				CHK'D FANGYING	2006-9-12	
4	TERMINAL	BRASS STRIP	3	Ag PLATED OVER Ni PLATED					APPD. KANGXINAN	2006-9-12	
3	TERMINAL BASE	PHENOLIC RESIN	1	NATURAL							
2	FRAME	STEEL STRIP	1	Ni PLATED							
1	KNOB	POM	1	WHITE							
NO.	PARTS	MATERIALS	Q'TY	FINISH							